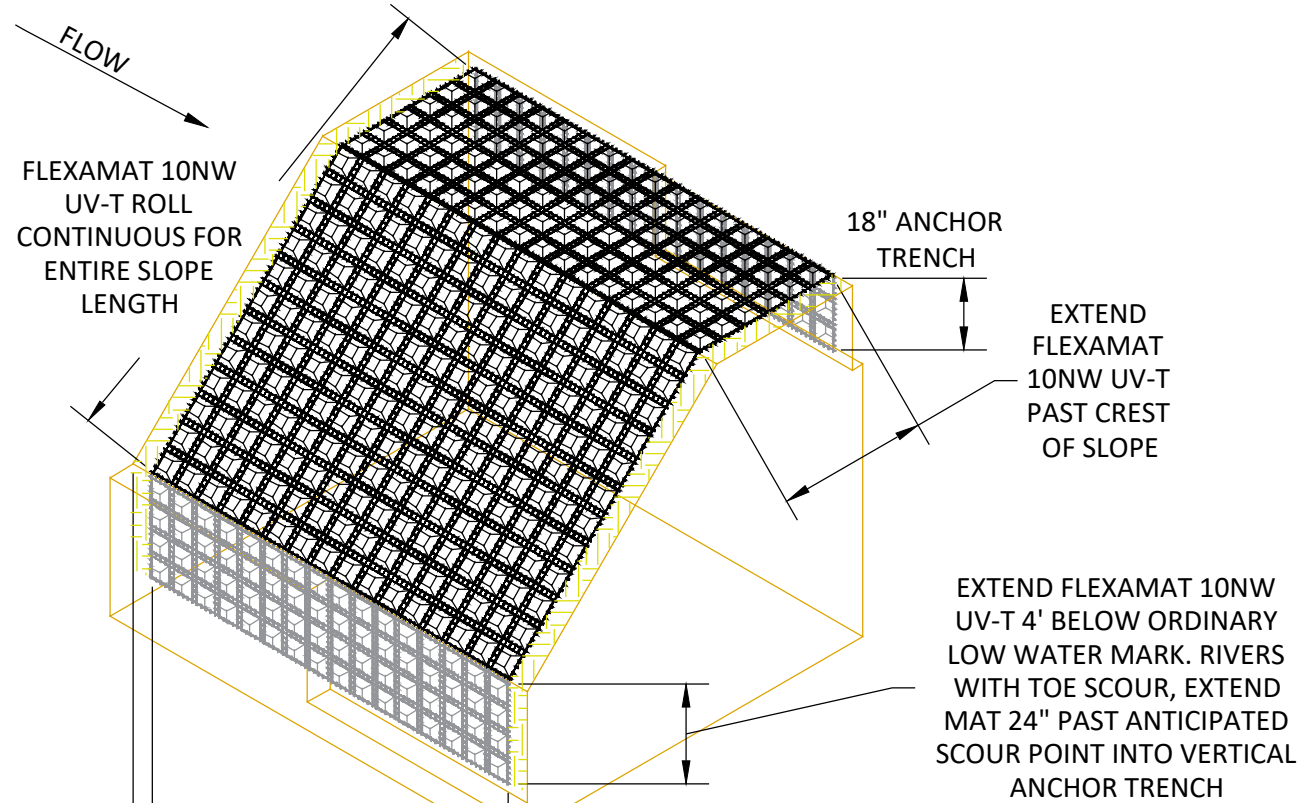
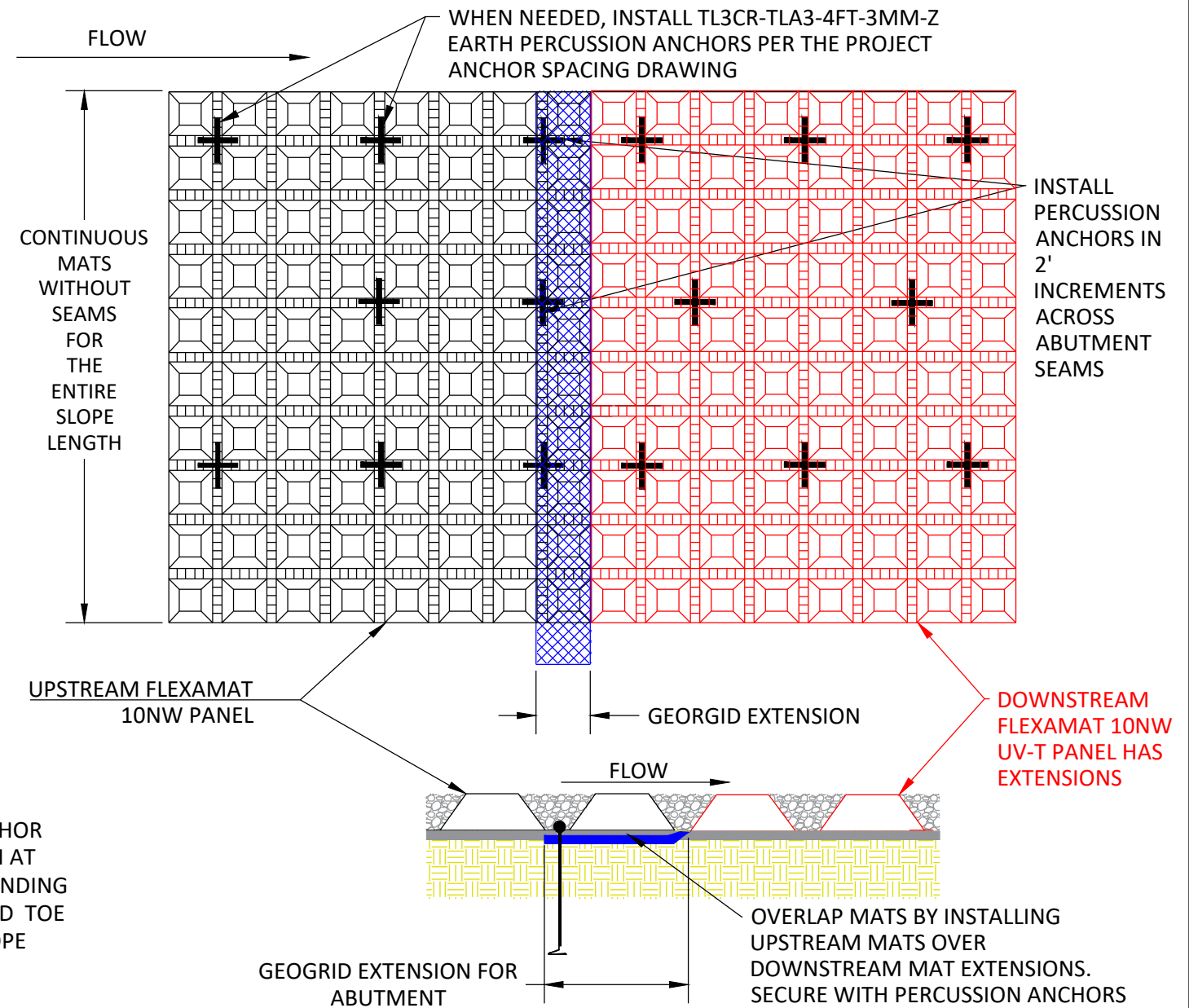


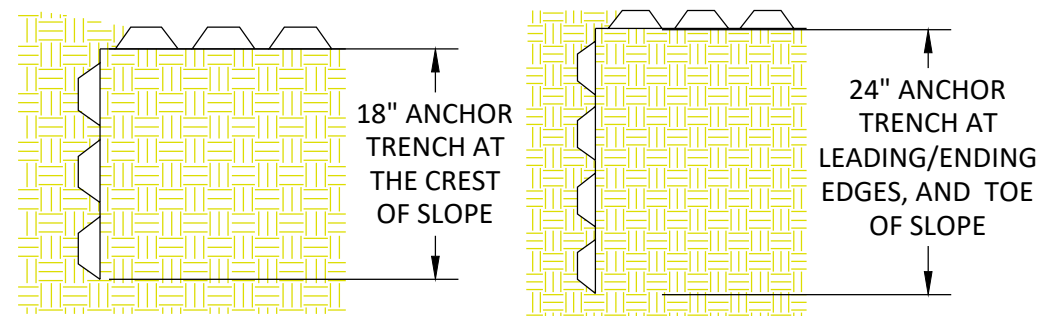
METHOD FOR TREATING EDGES EXPOSED TO FLOW



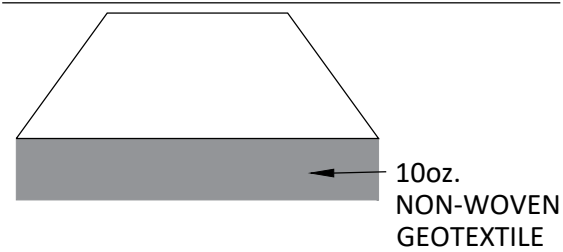
ABUTMENT METHOD FOR SEAMS PERPENDICULAR WITH FLOW



ANCHOR TRENCHES



FLEXAMAT 10NW UV-T UNDERLAYMENT



FLEXAMAT 10NW UV-T - RIVERBANK STEEP SLOPE ARMORING DETAIL

CONSTRUCTION NOTES:

1. AN ENGINEER OR MANUFACTURER'S REPRESENTATIVE SHALL BE ONSITE FOR THE START OF THE INSTALLATION.
2. ALL SUBGRADE SURFACES PREPARED FOR PLACEMENT OF MATS SHALL BE SMOOTH AND FREE OF ROCKS, STICKS, ROOTS, OTHER PROTRUSIONS, OR DEBRIS OF ANY KIND.
3. INSTALL FLEXAMAT 10NW UV-T ROLLS THAT ARE 15.5' WIDE WITH A GEOGRID EXTENSION AND A 10NW UV-T UNDERLAYMENT EXTENSION. INSTALLATION WILL START ON THE DOWNSTREAM END OF THE CHANNEL AND WORK TOWARDS THE UPSTREAM END OF THE INSTALLATION.
 - 3.1. THE TOP EDGE OF MAT SHALL EXTEND 3' PAST THE CREST OF SLOPE AND BE EMBEDDED 18".
 - 3.2. PRIOR TO INSTALLING UPSTREAM MATS ENSURE THE GEOGRID AND UNDERLAYMENT EXTENSIONS ARE LAYING FLAT ON SUBGRADE. INSTALL UPSTREAM MATS OVER THE GEOGRID-UNDERLAYMENT EXTENSIONS OF DOWNSTREAM MATS.
 - 3.3. WHEN NEEDED, SECURE OVERLAPS AND ABUTMENTS USING TL3CR-TLA3-4FT-3MM-Z EARTH PERCUSSION ANCHORS PER THE ANCHOR SPACING DETAIL.
 - 3.4. WHEN NEEDED, INSTALL TL3CR-TLA3-4FT-3MM-Z EARTH PERCUSSION ANCHORS THROUGHOUT THE SLOPE PER THE ANCHOR SPACING DETAIL.
4. EXTEND FLEXAMAT 10NW UV-T 4' BELOW ORDINARY LOW WATER MARK. RIVERS WITH TOE SCOUR SHALL EMBED THE MAT 24" PAST THE ANTICIPATED SCOUR POINT. FILL AND COMPACT TERMINATION TRENCH WITH SUITABLE FILL.
5. LEADING AND ENDING EDGES OF THE ENTIRE FLEXAMAT 10NW UV-T SLOPE PROTECTION SHALL HAVE A MINIMUM 24" ANCHOR TRENCH. ANCHOR TRENCH SHALL EXTEND MINIMUM 24" BEYOND THE ANTICIPATED SCOUR POINT.

MOTZ ENTERPRISES, INC.

Flexamat

(513)772-6689

Info@Flexamat.com

Flexamat.com

