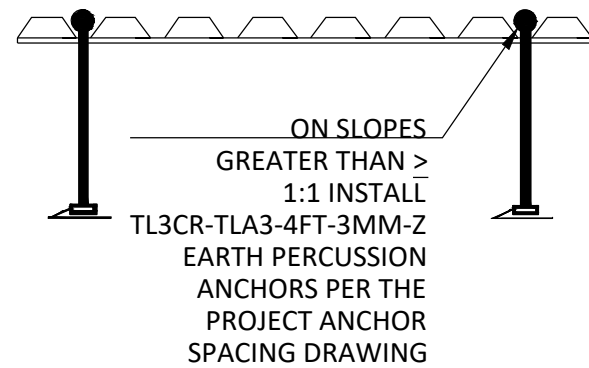
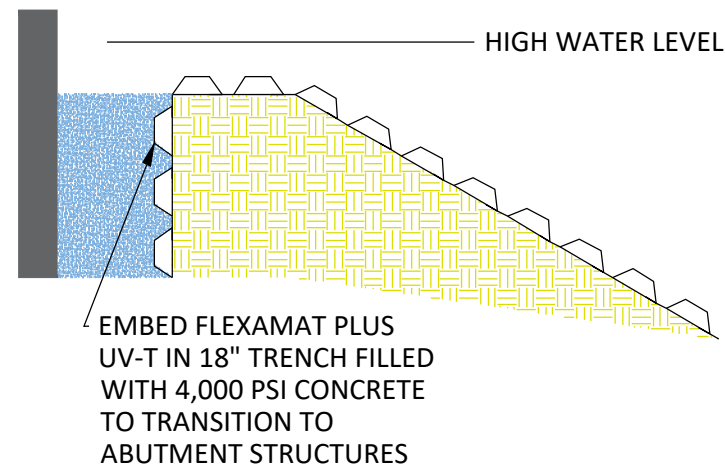


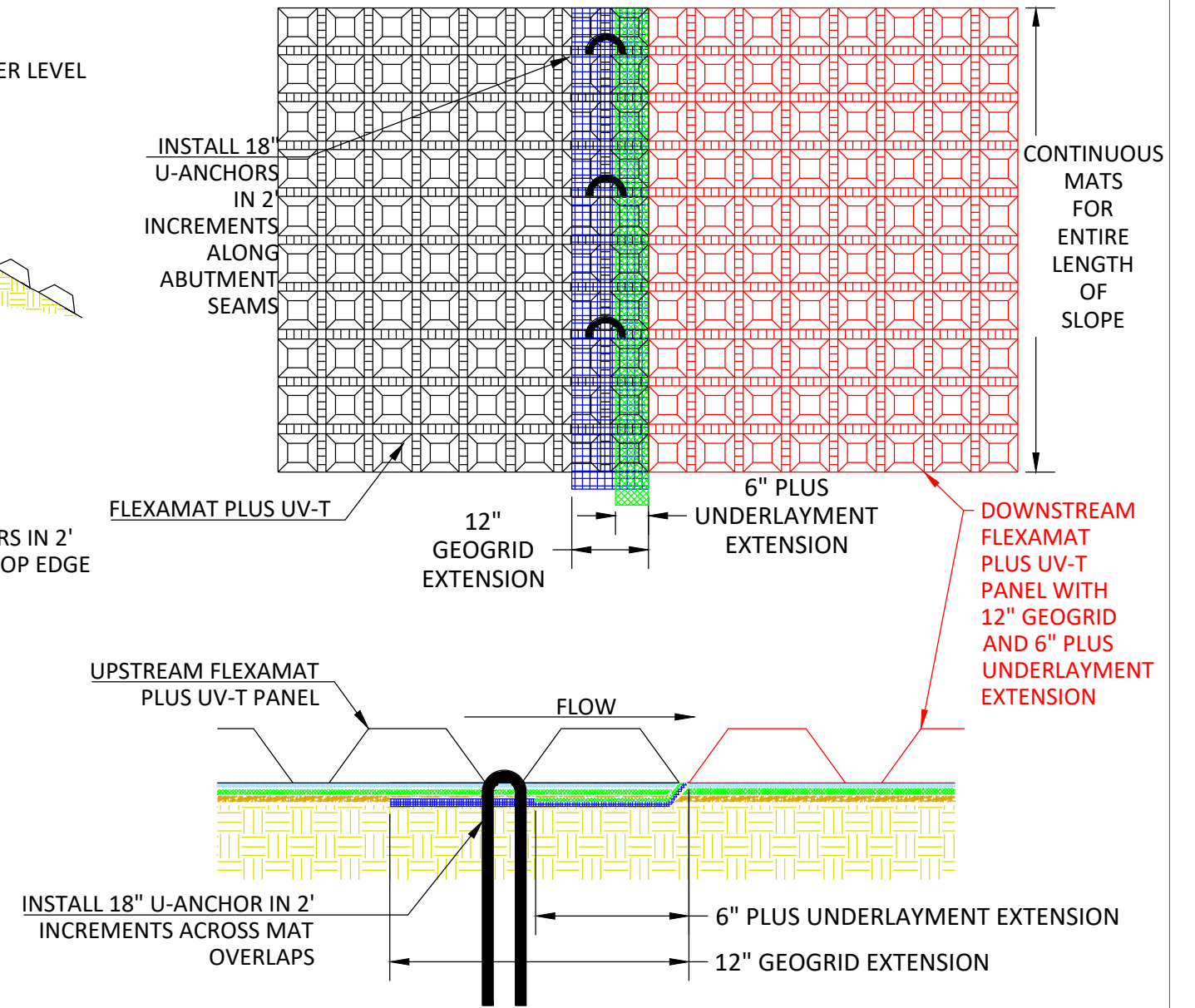
METHOD FOR TRANSITIONING TO ABUTMENT STRUCTURES



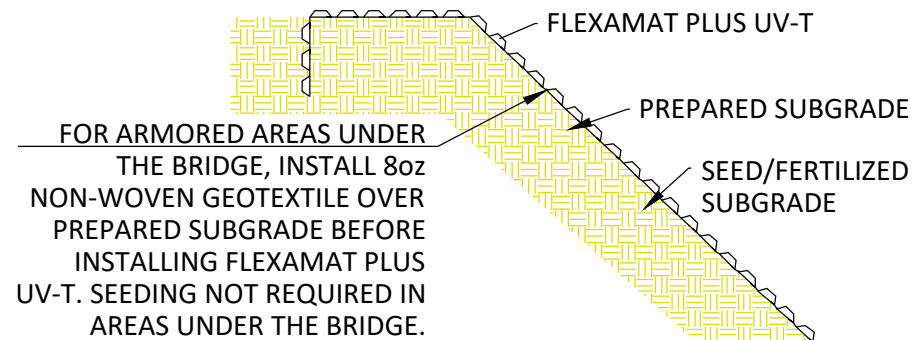
SURFACE EXPOSED TO FLOW



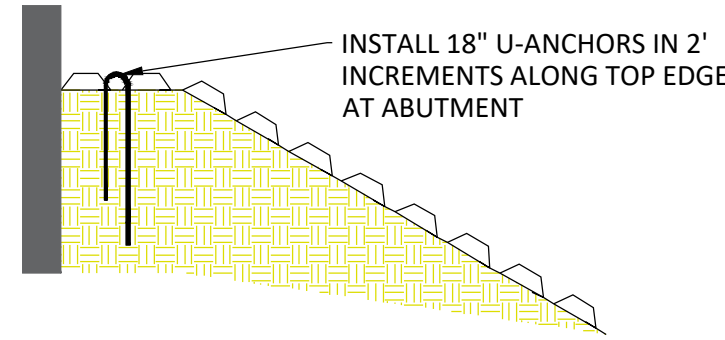
METHOD FOR ADDRESSING MAT SEAMS



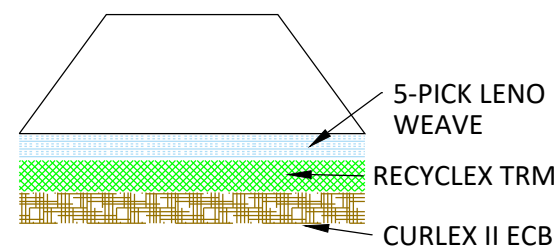
METHOD FOR ARMORING SLOPE



SURFACE NOT EXPOSED TO FLOW



FLEXAMAT PLUS UV-T UNDERLAYMENT



BURY TOE OF MATTING 24" PAST THE ANTICIPATED SCOUR POINT

FLEXAMAT PLUS UV-T - BRIDGE ARMORING

CONSTRUCTION NOTES:

1. AN ENGINEER OR MANUFACTURERS REPRESENTATIVE SHALL BE ONSITE FOR THE START OF THE INSTALLATION.
2. ALL SUBGRADE SURFACES PREPARED FOR PLACEMENT OF MATS SHALL BE SMOOTH AND FREE OF ALL ROCKS, STICKS, ROOTS, OTHER PROTRUSIONS, OR DEBRIS OF ANY KIND.
3. PRIOR TO INSTALLING MATS, SEED AND FERTILIZE OVER PREPARED SUBGRADE WITH SITE SPECIFIC SEED MIX.
4. INSTALL FLEXAMAT PLUS UV-T ROLLS THAT ARE 15.5' WIDE (4.7 m) WITH A 12" (30 cm) GEOGRID EXTENSION AND A 6" (15 cm) PLUS UNDERLAYMENT EXTENSION. THE TOP EDGE OF MAT SHALL BE EMBEDDED 18" (45 cm). INSTALL UPSTREAM MATS OVER THE GEOGRID-PLUS UV-T EXTENSION OF DOWNSTREAM MAT.
5. SECURE OVERLAPS USING 18" U-ANCHORS IN 2' INCREMENTS ACROSS MAT OVERLAPS. ANCHORS SHALL PENETRATE THROUGH THE UPSTREAM MAT AND GEOGRID EXTENSION OF ADJACENT DOWNSTREAM MAT.
6. AT THE TOE OF SLOPE, BEGINNING AND END OF PROTECTION, EMBED THE MAT 24" (60 cm) PAST THE ANTICIPATED SCOUR POINT. FILL AND COMPACT TERMINATION TRENCH WITH COHESIVE SOIL.

MOTZ ENTERPRISES, INC.

Flexamat

(513)772-6689

Info@Flexamat.com

Flexamat.com

